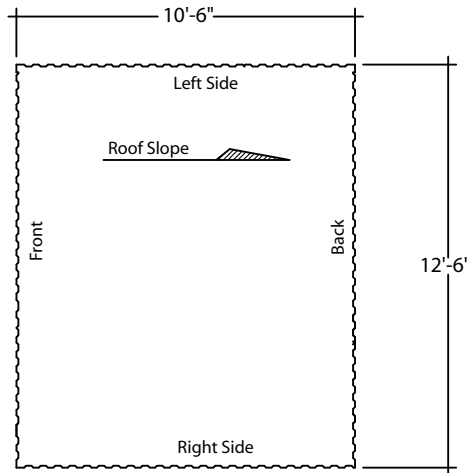
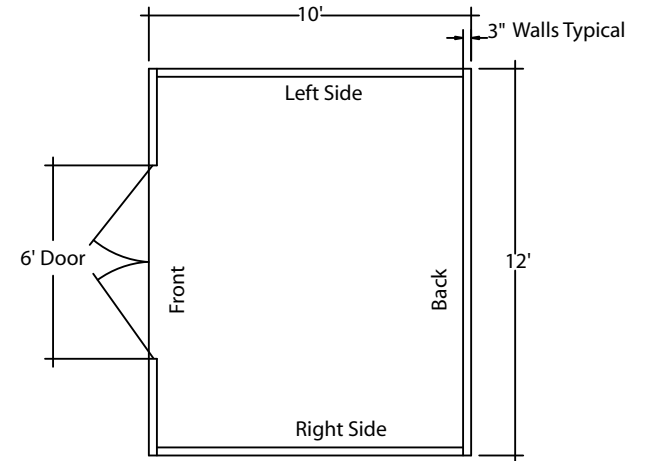


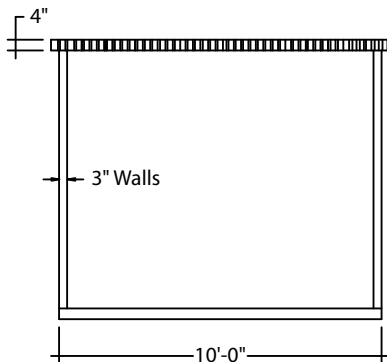
Front



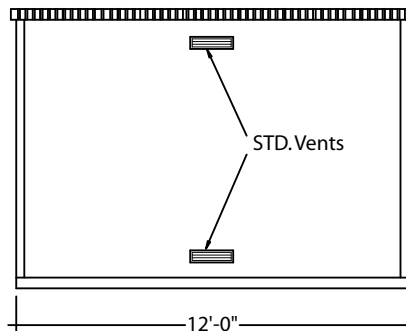
Roof Plan



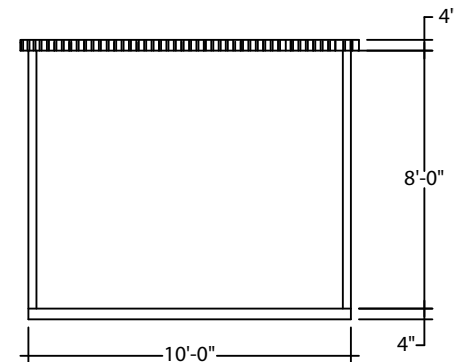
Floor Plan



Right Side



Back



Left Side

Exterior Color

- Brick Red
- Other: _____

Door Color

- Yorktown Brown
- Other: _____

Exterior Finish

- Easi-Brick™
- Other: _____

- 1) All required openings for electric, mechanical, louvers, etc. must be sized and located by buyer on this drawing (Opening sizes and locations may have to be altered if they interfere with connections or reinforcing)
- 2) All views are from exterior
- 3) A signed copy must be returned before building can be released for production

EASI-SET®		EASI-SET® INDUSTRIES	
<i>"New Dimensions in Concrete"</i>			
PO Box 400 • Midland, VA 22728			
(540) 439-8911 • f: (540) 439-2541 • easiset.com			
CUSTOMER: _____			
JOB LOCATION: _____			
PRODUCT:	DR BY:	DATE:	
10' x 12' EASI-SET	CHK:	DATE:	
SHEET NO.	MAKE	JOB NO.	
OF			